

Dumarey Green Power

Revolution Battery

Specification



**Energy stored, power delivered,
savings made**

Features

- High power, battery energy storage system
- Load acceptance equivalent to a 500kVA diesel generator
- 16A / 32A / 63A charging with passthrough capability
- Charge from grid or generator start on demand
- PowerSafe output (500A/800A type connectors)
- 500A passthrough allows large generator or mains connection if required
- 4-point lift and fork pockets
- 10" touchscreen HMI with wizard-based setup and simple operation
- Bespoke telematics platform for remote asset management



Remove or significantly down-size generators



Huge CO₂ reduction



Improved fuel economy



Run large equipment from small 3-phase connection



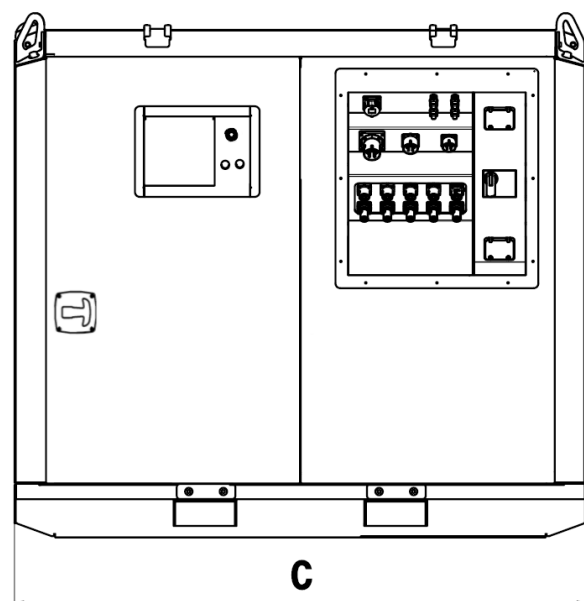
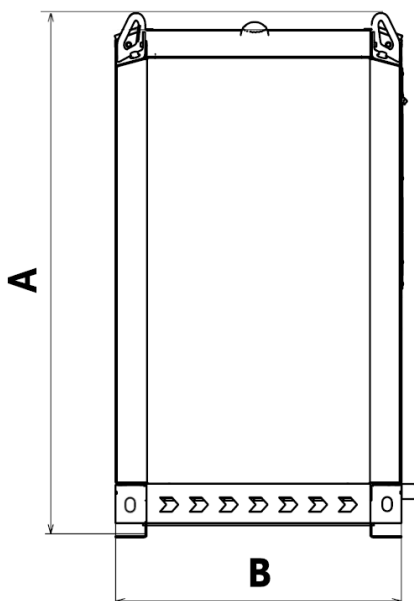
Control Panel



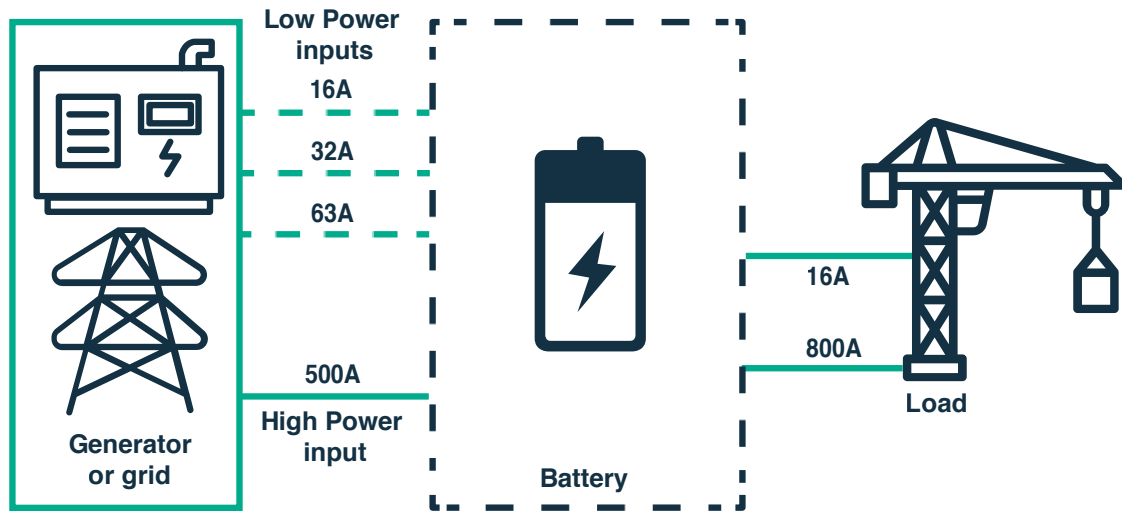
- 10" display complete with a custom interface to provide intuitive and robust operation.
- Set-up wizard for fault-free and intuitive installation.
- Animation and video set-up guides available.
- Power, voltage and frequency data for plant, generator and energy storage system.
- Battery module parameters: alarm and alert management.
- Event log management and diagnostics.
- Communications: Cloud based telemetry tool using on board 3G/4G router.

Dimensions & Weight

Revolution Battery	
A	2200 mm
B	1200 mm
C	2400 mm
Mass	2800 kg



Connection



*Only one low power input can be used at a time.

Specification

Specifications		
Max Continuous System Output	140 kW	Includes 40kW from mains
System Output for 3 Minutes	160 kW	Includes 40kW from mains
System Output for 1 Minute	200 kW	Includes 40kW from mains
System Output for 10 Seconds	300 kW	
Charging Power	40 kW*	16/32/63A sockets
Battery Capacity Maximum Usable	28 kWh	
Battery Usable Energy @ 25°C	19 kWh	
Battery Usable Energy @ 0°C	10 kWh	
Nominal Grid Voltage Range	±10 % of UAC nom	
Frequency	50 Hz	±5 Hz
Grid Configuration (On-Grid)	3 ~ 400Vac (phase to phase) + Neutral + PE	TN Grid
Grid Configuration (Off-Grid)	3 ~ 400Vac (phase to phase) + Neutral & PE coupled	TN-S Grid
Protection Devices	Earth Leakage and MCCB	
Other Interfaces	Generator start command	
Battery Cycles	20,000 Cycles	Full discharge cycles
Colour	RAL 9003	As standard, others on request
Warranty	2 years from delivery	

*Higher charging power available with different charging style